

# SELEKTA 171 top3 RC

Item no.: 1710331

**theben**  
energy saving comfort

## Time and light control Digital time switches

### Description

- Astronomical time switch with weekly program, with external GNSS antenna in scope of delivery
- Time synchronisation option via connection of an external DCF or GNSS antenna
- 1 channel
- Programming by app possible
- Safe transfer via optional Bluetooth Low Energy OBELISK top3
- Maximum manipulation security, time switch programs can only be transferred from the app to the time switch when the Bluetooth OBELISK top3 is plugged into the time switch
- 100% compatible with top2 (When transferring the switching programs via OBELISK to the PC, the OBELISK software as of V3.8.3.4 must be installed)
- 3 special programs (small annual program)
- 3 custom twilight ranges plus adjustable offset (sunset, twilight, darkness)
- Astro-pulse
- External input
- 84 memory locations
- Connectable sensors (external selector switch, sequence timer)
- Connectable switches (ON or OFF permanent switching)
- Astronomical time switch function (automatic calculation of sunrise and sunset times for the whole year)
- Offset for adjusting of sunrise and sunset times
- Position data via coordinates or country/city lists can be programmed
- Fixed ON-OFF switching times can be programmed (e.g. night time interruption)
- Simulation of switching times (calculated astronomical times and programmed ON/OFF switching times)
- Reversible astronomical mode (evenings ON - mornings OFF or evenings OFF - mornings ON) or can be deactivated
- DuoFix spring terminals
- For 2 conductors each
- Wire or strand (with or without wire end sleeve)
- Wire diameter: 0.5 - 2.5 mm<sup>2</sup>
- Button for releasing plug-in connection
- Text-oriented user guidance in display
- Preset date and time
- fully operable without mains connection
- Interface for OBELISK top2 memory card (PC programming)
- 2. insertable switching program
- Copying programs
- Storing programs



Subject to technical changes and misprints

additional information at: [www.theben.de/product/1710331](http://www.theben.de/product/1710331)

The load data are determined with exemplary selected illuminants and are therefore typical data due to the large number of available products.

# SELEKTA 171 top3 RC

Item no.: 1710331

## Description

- 10 year power reserve (lithium battery)
- Zero-cross switching for relay-saving switching and high lamp loads (not with 24 V devices)
- Calculated astronomical switching times
- Programmable ON-OFF switching times
- Switching preselection
- Permanent switching ON/OFF
- Integrated operating hour counter
- Reset option
- Service function for monitoring maintenance intervals
- Holiday program
- Display back light (can be turned off)
- PIN coding
- Automatic summer/winter time changeover
- can be deactivated
- Date rule options are already stored for Europe, the USA and other countries
- own date rule options or changeover around set dates are available

## Technical data

SELEKTA 171 top3 RC	
Operating voltage	110 – 230 V AC
Frequency	50 – 60 Hz
Width	2 modules
Installation type	DIN rail
Type of contact	Changeover contact
Switching output	Phase-independent
Opening width	< 3 mm ( $\mu$ )
Program	Weekly program, Astronomical program
Program functions	ON-OFF, Pulse
Number of channels	1
Number of memory locations	84
Power reserve	10 years
Switching capacity at 250 V AC, $\cos \varphi = 1$	16 A
Switching capacity at 250 V AC, $\cos \varphi = 0,6$	10 A
Incandescent/halogen lamp load	2600 W
Energy saving lamps	1100 W
LED lamp < 2 W	50 W
LED lamp 2-8 W	600 W
LED lamp > 8 W	600 W

SELEKTA 171 top3 RC	
Fluorescent lamp load (conventional) not corrected	2600 VA
Fluorescent lamp load (conventional) series-corrected	2600 VA
Inrush current	max. 800 A / 200 $\mu$ s
Switching capacity min.	ca. 10 mA
Shortest switching times	1 min
Time accuracy at 25 °C	typical $\pm 0,25$ s/day (quartz) or DCF77/GPS
Time basis	Quartz/DCF77/GPS
Stand-by consumption	~0.75 W
Type of connection	DuoFix spring terminals
Externe Antenne anschlieÙbar	✓
Display	LCD
Keyboards	4 touch buttons
Housing and insulation material	High-temperature resistant, self-extinguishing thermoplastic
Type of protection	IP 20
Protection class	II according to EN 60 730-1
Ambient temperature	-30°C ... 55°C

Subject to technical changes and misprints

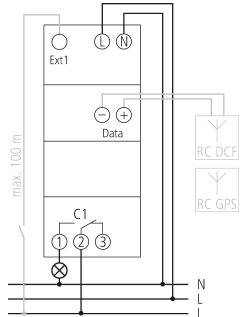
additional information at: [www.theben.de/product/1710331](http://www.theben.de/product/1710331)

The load data are determined with exemplary selected illuminants and are therefore typical data due to the large number of available products.

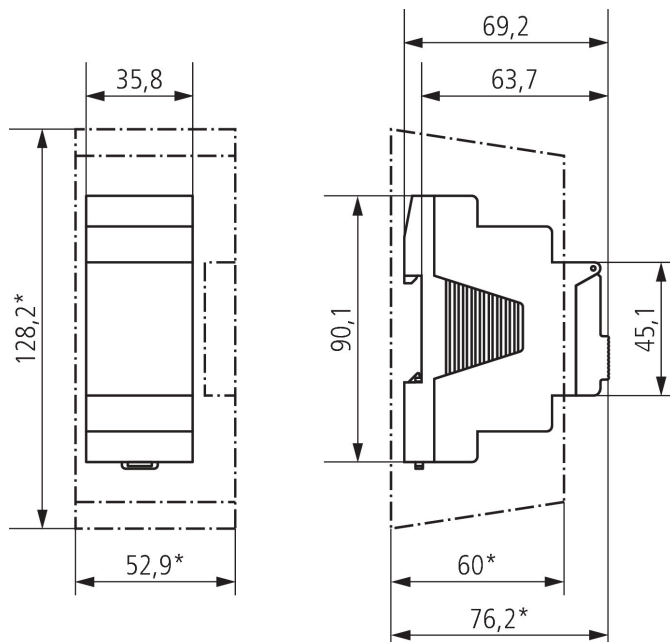
# SELEKTA 171 top3 RC

Item no.: 1710331

## Connection example



## Scale drawings



## Accessories

Wall mounting kit 35 mm  
Item no.: 9070064



Antenna RC-DCF  
Item no.: 9070410



PC set OBELISK top2/3  
Item no.: 9070409



Memory card OBELISK top2  
Item no.: 9070404



Subject to technical changes and misprints

additional information at: [www.theben.de/product/1710331](http://www.theben.de/product/1710331)

The load data are determined with exemplary selected illuminants and are therefore typical data due to the large number of available products.

# SELEKTA 171 top3 RC

Item no.: 1710331

## Accessories

---

**Front panel kit**  
Item no.: 9070001



**Bluetooth OBELISK top3**  
Item no.: 9070130



**Antenna RC-GNSS R**  
Item no.: 9070807



**Antenna RC-GNSS**  
Item no.: 9070823

